



Option List

10/2/2023

Customer: Commercial Emergency Equipment
Representative: Feduniw, Mike
Organization: Commercial Emergency Equip West (BC-AB-YK-NT)
Requirements Manager: Lange, Jason
Description: CEE 2023 100' AAT Stock
Body: Aerial, 100AAT, Alum Body
Chassis: Enforcer Chassis, 100AAT

Bid Number: 1403
Job Number: 41823
Number of Units: 1
Bid Date: 09/28/2023
Stock Number:
Price Level: 46 (Current: 46)
Lane: Lane 1

Line	Option	Type	Option Description	Qty
1	0010012		No Boiler Plates requested	1
2	0018180		Single Source Compliance, Aerials	1
3	0584456		Manufacture Location, Appleton, Wisconsin	1
4	0584452		RFP Location: Appleton, Wisconsin	1
5	0588610		Vehicle Destination, Canada	1
6	0791096	SP	Build My Pierce™ Truck	1
7	0620061		Fill in Blank - Booked with 451 Options and 2 SPs Comply ULC Changes Effective Nov 1, 2014, With Exceptions	1
8	0533351		Quint Fire Apparatus	1
9	0588612		Vehicle Certification, Aerial w/Pump	1
10	0619865		Agency, Apparatus Certification, Aerial with Pump, ULC	1
11	0887907		Fill in Blank - 3,000' ASL Certification, Vehicle Inspection Program, ULC-S515	1
12	0535581		Canadian Unit of Measure, Liters	1
13	0030006		Bid Bond Not Requested	1
14	0816569		Performance Bond, Not Requested, PPI Terms	1
15	0000007		Approval Drawing	1
16	0002928		Electrical Diagrams	1
17	0729149		Enforcer Chassis, 100AAT	1
18	0000110		Wheelbase	1
19	0000070		Wheelbase - 265.00 GVW Rating	1
20	0729280		GVW rating - 76,000 Frame Rails, 13.38 x 3.50 x .375, Enforcer	1
21	0889473		Frame Liner, "C/Inv L" 12.50" x 3.00" x .25", AXT/Vel/Imp/Enf, 57" Qval	1
22	0796912		Axle, Front, Oshkosh TAK-4, Non Drive, 24,000 lb, Enforcer	1
23	0090914		Suspension, Front TAK-4, 24,000 lb, DLX/Qtm/AXT/Vel/Enf/SFR	1
24	0087572		Shock Absorbers, KONI, TAK-4, Qtm/AXT/Imp/Vel/DCF/Enf	1
25	0000322		Oil Seals, Front Axle	1
26	0778477		Tires, Front, Michelin, XZY3 (wb), 445/65R22.50, LRM, Fire Service Speed Rtnng	1
27	0019618		Wheels, Front, Alcoa, 22.50" x 13.00", Aluminum, Hub Pilot	1
28	0728957		Axle, Rear, Meritor RT50-160, 52,000 lb, Enf, 100AAT	1
29	0814721		Top Speed of Vehicle, 75 MPH/120 KPH, Non-NFPA 2016	1
30	0680619		Suspen, Rear, Air Link, AL- 520, Air Ride, 52,000 lb	1
31	0000485		Oil Seals, Rear Axle	1
32	0070729		Tires, Rear, Michelin, XDN2, 12R22.50, 16 ply, Tandem	1
33	0019639		Wheels, Rear, Alcoa, 22.50" x 8.25", Aluminum, Hub Pilot, Tandem	1
34	0568081		Tire Balancing, Counteract Beads	1
35	0620569		Tire Pressure Monitoring, RealWheels, AirSecure, Valve Cap, Tandem Axle	1
36	0801909		Qty, Tire Pressure Ind - 10 Lug Nut, Covers, Chrome	1
37	0003245		Axle Hub Covers w/center hole, S/S, Front Axle	1
38	0013241		Axle Hub Covers, Rear, S/S High Hat (Tandem)	1
39	0002045		Mud Flap, Front and Rear, Pierce Logo	1
40	0766669		Chocks, Wheel, SAC-44-E, Folding, 100AAT	1
41	0766668		Qty, Pair - 01 Mounting Brackets, Chocks, SAC-44-E, Folding, Horizontal, 100AAT	1
42	0010673		Qty, Pair - 01 Location, Wheel Chocks - Left Side Rear Tire, Rearward	1
43	0030185		ABS Wabco Brake System, Tandem Rear Axle Brakes, Knorr/Bendix 17", Disc, Front, TAK-4	1

Line	Option	Type	Option Description	Qty
44	0509207		Brakes, Meritor, EX225, Disc Plus, Rear, Tandem Axle	1
45	0735527		Air Compressor, Brake, Wabco 26.8 CI, Paccar	1
46	0637583		Brake Reservoirs, 6,408 Cubic Inch Minimum Capacity, Saber FR/Enforcer	1
47	0617092		Air Dryer, Wabco System Saver 1200, With Wet Tank, Heated,Saber FR/Enforcer	1
48	0000790		Brake Lines, Nylon	1
49	0000854		Air Inlet, w/Disconnect Coupling	1
			Location, Air Coupling(s) - a) DS Step Well, Forward	
			Qty, Air Coupling (s) - 1	
50	0690889		All Wheel Lockup (Aerial/Tanker Chassis), Aerial Master Activation	1
51	0055486		Drain, Remote Air Tank, w/Pull Cable, All Tanks	1
52	0811018	SP	Engine, Paccar MX13, 510HP, 1850 lb-ftW/OBD, EPA 2024, Enforcer, BMP/HDR/STK	1
53	0001244		High Idle w/Electronic Engine, Custom	1
54	0735687		Engine Brake, Fully Integrated, Paccar MX13 Engine	1
			Switch, Engine Brake - MX13	
55	0644227		Clutch, Fan, Air Actuated, Saber FR/Enforcer	1
56	0644573		Air Intake, Water & Ember Screen, Saber FR/Enforcer	1
57	0814375		Exhaust System, Horizontal, Right Side	1
			Exhaust, Diffuser - Aluminized Steel (Standard)	
			Exhaust, Material/Finish - Aluminized Steel (Standard)	
			Location, Diffuser Termination - Flush With Rub Rail	
			Tip, Exhaust - Straight Tip (Standard)	
58	0788765		Radiator, Saber FR/Enforcer	1
59	0722490		Cooling Hoses, Gates Silicone and Rubber Combination - Custom	1
60	0094107		Radiator Coolant, Protection to -40 Degrees	1
61	0001125		Fuel Tank, 65 Gallon, Left Side Fill	1
62	0001129		Lines, Fuel	1
63	0889521		DEF Tank, 7.3 Gallon, LS Fill, Under Cab, Paccar, Lift Up Fill Dr, Spring, ENF	1
			Door, Material & Finish, DEF Tank - Polished Stainless	
64	0552793		Not Required, Fuel Priming Pump	1
65	0552712		Not Required, Shutoff Valve, Fuel Line	1
66	0699437		Cooler, Chassis Fuel, Not Req'd.	1
67	0690880		No Selection Required From This Category	1
68	0801890		Trans, Allison 6th Gen, 4500 EVS P, w/Prognostics, Imp/Vel/Enf	1
69	0512762		Transmission, Shifter, 6-Spd, Push Button, 4500, Imp/Vel/Qtm/DCF/Enf	1
			Trans, ratio - 4500 EVS, 6Spd	
70	0684459		Transmission Oil Cooler, Modine, External	1
71	0001375		Driveline, Spicer 1810	1
72	0734211		Steering, Sheppard M110 w/Tilt, TAK-4, Paccar Pump, w/Cooler, Paccar	1
73	0605355		Steering Wheel, 4 Spoke with Controls, Enforcer, Mux	1
74	0559647		Pierce Logo on Horn Button	1
75	0725710		Bumper, 15" Extended, Alum, Painted, Integrated, 100AAT, Enforcer	1
76	0778092		Lift & Tow Package, Enforcer	1
77	0522573		Tow Hooks Not Required, Due to Lift and Tow Package	1
78	0625650		Cab, Enforcer, 7000	1
79	0747442		Engine Tunnel, X12, MX13, Enforcer	1
80	0633594		Rear Wall, Interior, Adjustable Seating	1
81	0632103		Rear Wall, Exterior, Cab, Saber FR/Enforcer	1
			Material, Exterior Rear Wall - Aluminum Treadplate	
82	0728889		Cab Lift, Elec/Hyd, Stabilizer Interlock, Enforcer 100AAT	1
83	0695930		Grille, Bright Finished, Front of Cab, Enforcer	1
84	0647932		Not Required, Trim, S/S Band, Across Cab Face, AXT/Saber/Enforcer	1
85	0087357		Molding, Chrome on Side of Cab	1
86	0521669		Mirrors, Retractable, West Coast Style, Htd/Rmt, w/Htd/Rmt Convex	1
87	0648171		Door, Half-Height, Saber FR/Enforcer 4-Door Cab, Level Roof	1
			Key Model, Cab Doors - 751	
			Cab, Exterior Door Handle, Finish - 4-Door, Chrome/Black	
88	0655543		Door Panel, Brushed Stainless Steel, Saber/Enforcer 4-Door Cab	1
89	0630636		Controls, Electric Roll-Up Windows, 4dr, 4 Driver Controls, Saber FR/Enforcer	1
90	0640657		Electric Door Locks, Cab Doors, 2 Fob's, Conceal Switch Loc, QXS/AXT/Sab/Enf	1
			Location - DS Pump Panel Switch Panel - Label Switch "SPARE"	

Line	Option	Type	Option Description	Qty
91	0638310		Steps, 4-Door Cab, Saber FR/Enforcer	1
			Step Well Material - Aluminum Treadplate	
92	0770200		Handrail, Exterior, Hansen, Knurled, Alum, LED Backlit, 4-Door Cab	1
			Color, Handrail Light - Red	
			Control, Handrail Light - Headlight Switch	
93	0892638		Lights, Cab & Crw Cab Acs Stps, P25, LED w/Bezel, 6lts	1
			Color, Trim - Chrome Housing	
94	0583698		Fenders, S/S on cab, Extra Wide, Saber/Enf	1
95	0637984		Window, Side of C/C, Fixed, Saber FR/Enforcer	1
96	0722796		Dash, Poly, Saber FR/Enforcer	1
97	0634206		Mounting Provisions, 1/4" Alum, Full Engine Tunnel, Saber FR/Enforcer	1
			Mounting Provision Spacing - 1.00"	
			Material Finish, Cab Interior - Painted	
98	0750824		Cab Interior, Vinyl Headliner, Saber FR/Enforcer, CARE	1
			Color, Cab Interior Vinyl/Fabric - Endure Vinyl - Red	
			Engine Tunnel Cover - Dark Silver Gray Endure Vinyl	
			Cab Interior Rear Wall Material - Painted Aluminum	
99	0753903		Cab Interior, Paint Color, Saber FR/Enforcer	1
			Color, Cab Interior Paint - d) red	
100	0012101		Floor, Aluminum Treadplate, Cab & Crew Cab, Saber/Enforcer, CARE	1
101	0722696		HVAC, Enforcer, CARE	1
			HVAC System, Filter Access - Removable Panel	
			Auxiliary Cab Heater - Both	
			HVAC System, Control Loc. - Panel Position #12	
			Plenum Cover Material - Formed Plastic	
102	0639675		Sun Visor, Smoked Lexan, AXT, Imp/Vel, Saber FR/Enforcer	1
			Sun Visor Retention - No Retention	
103	0634328		Grab Handles, Driver and Officer Door Posts, Saber FR/Enforcer	1
104	0583938		Lights, Engine Compt, Custom, Auto Sw, Wln 3SC0CDCR, 3" LED, Trim	1
			Qty, - 01	
105	0631830		Fluid Check Access, Saber FR/Enforcer, Arrow XT	1
			Latch, Door, Storage - Lift and Turn Latch, Flush	
106	0583042		Side Roll and Frontal Impact Protection	1
107	0622617		Seating Capacity, 6 Seats	1
108	0636955		Seat, Driver, Pierce PSV, Air Ride, High Back, Safety, Saber FR/Enforcer	1
109	0636942		Seat, Officer, Pierce PSV, Fixed, SCBA, Safety, Saber FR/Enforcer	1
110	0620420		Radio Compartment, Below Non-Air Ride Seat, Saber FR/Enforcer	1
			Latch, Door, Storage - Lift and Turn Latch	
111	0635973		Seat, Rear Facing C/C, DS Outboard, Pierce PSV, SCBA, Safety, Saber FR/Enforcer	1
112	0102783		Not Required, Seat, Rr Facing C/C, Center	1
113	0635969		Seat, Rear Facing C/C, PS Outboard, Pierce PSV, SCBA, Safety, Saber FR/Enforcer	1
114	0108189		Not Required, Seat, Forward Facing C/C, DS Outboard	1
115	0635957		Seat, Forward Facing C/C, Center, (2) Pierce PSV, SCBA, Safety, Saber FR/Enf	1
116	0108190		Not Required, Seat, Forward Facing C/C, PS Outboard	1
117	0766467		Upholstery, Seats In Cab, All Vinyl, Seats Inc, CARE	6
			Color, Cab Interior Vinyl/Fabric - Endure Vinyl - Silver/Gray	
			Qty, - 06	
118	0543991		Bracket, Air Bottle, Hands-Free II, Cab Seats	5
			Qty, - 05	
119	0603866		Seat Belt, Dual Retractor, ReadyReach, Saber FR/Enforcer	1
			Seat Belt Color - Red	
120	0610604		Helmet Storage, Provided by Fire Department, ULC	1
121	0647647		Lights, Dome, FRP Dual LED 4 Lts	1
			Color, Dome Lt - Red & White	
			Color, Dome Lt Bzl - Black	
			Control, Dome Lt White - Door Switches and Lens Switch	
			Control, Dome Lt Color - Lens Switch	
122	0896451		Enhanced Software for Cab and Crew Cab Dome Lts	1
123	0602622		Portable Hand Light, Provided by Fire Department, Quint NFPA 2016 Classification	1
124	0616543		Cab Instruments, Ivory Gauges, Chrome Bezels, Enforcer MUX, Metric	1
			Emergency Switching - Individual Switches	

Line	Option	Type	Option Description	Qty
125	0509511		Air Restriction Indicator, Imp/Vel, AXT, Dash CF, Enf MUX	1
126	0543751		Light, Do Not Move Apparatus Alarm, Do Not Move Truck - Pulsing Alarm	1
127	0743386		Messages, Open Dr/DNMT, Color Dsply, 100AAT	1
128	0611683		Switching, Cab Instrument Lower Console & Overhead, Membrane, Enforcer WiFi MUX	1
129	0802945		Wiper Control, 2-Speed with Intermittent, Stalk Control, Enf MUX	1
130	0731813		Hour Meter, Aerial, Included in Information Centers, ASL, AAT, ASP	1
131	0002615		Switch, Aerial 12V Master	1
132	0002617		PTO switch, w/light - aerial	1
133	0610968		Wiring, Spare, 2.0 A 12V DC, USB Termination Blue Sea 1016 1st Qty, - 01 12vdc power from - Battery switched Location - Officers Dash	1
134	0598394		Wiring, Spare, 30 A 12V DC, 6 Circuit Fuse Block, Blue Sea 5025 1st Qty, - 01 12vdc power from - Battery direct Location - Behind officers seat	1
135	0548004		Wiring, Spare, 15 A 12V DC 1st Qty, - 02 12vdc power from - Battery direct Wire termination - Butt Splice Location, Spare Wiring - Officer Dash	2
136	0814201		Vehicle Information Center, 7" Color Display, Touchscreen, MUX, CL714 System Of Measurement - Metric	1
137	0816633		Collision Mitigation, HAAS Alert (R2V), HA7 Subscription, HAAS R2V - R2V - 5 Year Data Plan Subscription	1
138	0606249		Vehicle Data Recorder w/CZ and Overhead Display Seat Belt Monitor	1
139	0696439		Antenna Mount, Custom Chassis, Cable Routed to Instrument Panel Area Qty, - 01 Location, Antenna Mount - Right Side	1
140	0890416		Pierce Command Zone, Advanced Electronics & Control System, Enforcer, WiFi CZT Color, Antenna - White Antenna Module Housings - Black Housing with Power and Status Ind	1
141	0896456		Prognostics, Electrical System	1
142	0816093		ClearSky Telematics, Remote Fleet & On-scene Management, AT&T Commercial Subscription, Telematics - 3 Year Subscription	1
143	0733539		Electrical System, Enf MUX ESP	1
144	0079211		Batteries, (6) Stryten/Exide Grp 31, 950 CCA each, Threaded Stud	1
145	0008621		Battery System, Single Start, All Custom Chassis	1
146	0002698		Battery Compartment, Saber/Enforcer	1
147	0812383		Charger, Sngl Sys, Kussmaul, Chief 091-266-12-40	1
148	0814869		Location, Cab, Charger, Behind Driver Seat	1
149	0811943		Panel, Remote Control, Kussmaul, Chief 091-266-RCP	1
150	0814939		Location, Cab, Ind/Remote, Driver's Seat Riser	1
151	0016857		Shoreline, 20A 120V, Kussmaul Auto Eject, 091-55-20-120, Super Qty, - 01 Color, Kussmaul Cover - b) red Shoreline Connection - Battery Charger	1
152	0026800		Shoreline Location Location, Shoreline(s) - DS Cab Side	1
153	0647728		Alternator, 430 amp, Delco Remy 55SI	1
154	0092582		Load Manager/Sequencer, MUX Enable/Disable Hi-Idle - e)High Idle enable	1
155	0783153		Headlights, Rect LED, JW Spkr Evo 2, AXT/DCF/Enf/Imp/Sab/Vel Color, Headlight Bez - Chrome Bezel	1
156	0625953		Light, Directional, Wln 600 Cmb, Cab Crn, Wrp Bzl Out HD Lts, Enf, Sab FR Color, Lens, LED's - m)match LED's	1
157	0620054		Light, Directional/Marker, Intermediate, Weldon 9186-8580-29 LED 2lts	1
158	0735474		Lights, Clearance/Marker/ID, Front, P25 LED 7 Lts, Saber FR/Enforcer Light Guard - No Guards	1
159	0647899		Lights, Directional/Marker, Cab Front Side, Weldon 9186-8580-29 LED, Sab/Enf	1

Line	Option	Type	Option Description	Qty
160	0670831		Lights, Clearance/Marker/ID, Rear, P25 LED 7Lts, 100AAT	1
161	0602938		Light, Marker End Outline, Rubber Arm, LED Marker Lamp, Rear Body	1
			Qty, Lights, Pair - 1	
162	0804514		Lights, Tail, Wln M62BTT* Red Stop/Tail & M62T* Amber Dir Arw For Hsg	1
			Color, Lens, LED's - Match	
			Flash Pattern, Directional Lts - Steady On (Arrow)	
163	0806466		Lights, Backup, Wln M62BU, LED, For Tail Lt Housing	1
164	0889577		Bracket, License Plate & Light, P25 LED, Stainless Brkt	1
			Color, Trim - Chrome Housing	
165	0556842		Bezels, Wln, (2) M6 Chrome Pierce, For mtg (4) Wln M6 lights	1
166	0589905		Alarm, Back-up Warning, PRECO 1040	1
167	0817254		Lights, Perimeter Cab, Amdor AY-LB-12HW0** LED 4Dr	1
168	0769564		Lights, Perimeter Pump House, Amdor AY-LB-12HW020 LED 1lt	1
169	0763190		Lights, Perimeter Body, Amdor AY-LB-12HW012 LED 3lts	1
			Control, Perimeter Lts - Parking Brake Applied	
170	0896454		Enhanced Software for Perimeter Lts	1
171	0735865		Step Illumination, Pump Panel Light Shield, 100AAT, w/Pump	1
172	0735836		Light, Roof Mt, HiViz, FT-B-46-*-* , Cnt Feature	1
			Control, Scene Lts - Cab Sw Panel DS	
			Color, Lt Housing HiViz - White	
			Scene Light Optics - Flood/Spot	
173	0736729		Lights, HiViz FT-GESM LED 2nd	1
			Location - Upper corner, rear of crew door, right side	
			Qty, - 01	
			Control, Scene Lts - Cab Sw Panel DS	
			Color, Lt Housing HiViz - Crm Opt Hold, Crm Bez, Blk Fix	
174	0736731		Lights, HiViz FT-GESM LED 1st	1
			Location - Upper corner, rear of crew door, left side	
			Qty, - 01	
			Control, Scene Lts - Cab Sw Panel DS	
			Color, Lt Housing HiViz - Crm Opt Hold, Crm Bez, Blk Fix	
175	0759180		Lights, HiViz FT-MB-33-*-* 42.44", 2nd	1
			Location - top of body, Right Side, over rear axle	
			Qty, - 01	
			Control, Scene Lts - PS Scene Lts	
			Color, Lt Housing HiViz - White	
			Scene Light Optics - combination	
176	0728620		Lights, HiViz FT-GSMJR-* LED 1st	1
			Location - Upper corners, rear sheet	
			Qty, - 01	
			Control, Scene Lts - Cab Sw Panel DS and Body Switch, DS Rear SS	
			Color, Lt Housing HiViz - Crm Opt Hold, Crm Bez, Blk Fix	
177	0759181		Lights, HiViz FT-MB-33-*-* 42.44", 1st	1
			Location - top of body, Left Side, over rear axle	
			Qty, - 01	
			Control, Scene Lts - DS Scene Lts	
			Color, Lt Housing HiViz - White	
			Scene Light Optics - combination	
178	0766802		Not Required, Deck Lights, Other Hose Bed & Rear Lighting, 100AAT	1
179	0729276		Lights, Hose Bed, Front/Rear, Light Strips, AAT	1
			Control, Hose Bed Lts - Cup Switch At Rear SS	
180	0645677		Lights, Not Required, Rear Work, Alt. 12 Volt Lights At Rear Body	1
181	0892706		Lights, Walk Surf, FRP Flood, P25 LED, 100AAT	1
			Color, Trim - Chrome Housing	
182	0771870		Aerial, 100AAT, Alum Body	1
183	0554271		Body Skirt Height, 20"	1
184	0769002		Tank, Water, 300 Gallon, Poly, 100AAT	1
185	0751917		Overflow, 3.00" Water Tank, Poly	1
186	0028104		Foam Cell Required	1
187	0003429		Not Required, Direct Tank Fill	1
188	0769016		Hose Bed, Alum, Right Side, 100AAT	1
189	0723546		DA Finished Hose Bed/Cargo Area	1
190	0555137		Hose Bed Capacity 800' of 5.00", 100AAT, 100' RMAP	1

Line	Option	Type	Option Description	Qty
191	0748063		Hose Restraint, Front Vinyl/Treadplate, 1" Heavy Nylon Web Rear, RS, 100AAT Color, Vinyl Cover - a) red	1
192	0003512		Running Boards, Ascendant, PAL	1
193	0735582		Turntable Steps, Swing-Down, Left Side, 100AAT Step, Flip - No Flip Step Body Handrail Finish - knurled aluminum Step Surface, Turntable - Punched Grip	1
194	0889980		Lights, Step (3), P25 LED, One Side Control, Scene Lts - Perimeter light	1
195	0690023		Wall, Rear, Smooth Aluminum	1
196	0074515		Tow Eyes (2), Painted Lower Job Color, 100AAT, Ascendant Single Axle, 75' HAL	1
197	0590926		Hose Restraint, Running Board, Velcro Straps Location, Hose Tray, Running Board - Right Side Qty, Tray, Hose - 1	1
198	0731541		Tray, Hose, Running Board, w/42.00" Pump House, 100AAT	1
199	0769019		Construction, Compt, Alum, 100AAT	1
200	0771504		Compt, Left Side, Roll, 100AAT Latch, Door, Access - lift and turn latch, flush, pair	1
201	0771505		Compt, Right Side, Roll, 100AAT	1
202	0766483		Doors, Gortite Rollup, Side Compartments Qty, Door Accessory - 09 Color, Roll-up Door, Gortite - Satin finish Latch, Roll-up Door, Gortite - Non-Locking Liftbar	9
203	0740006		Bumper, Rear, 3", Counterweight, Steel, Full 45 Degree Angled Corners, 100AAT	1
204	0603083		Lights, Compt,Pierce LED,Dual Light Strips,Each Side Dr,Ascend TA,75'HAL,PAP,HDL Qty, - 09 Location, Compartment Lights - All Body Compts	9
205	0687145		Shelf Tracks, Recessed, PUC/3rd Generation	1
206	0600289		Shelves, Adj, 500 lb Capacity, Full Width/Depth, Predefined Locations, Aerial Qty, Shelf - 04 Material Finish, Shelf - Painted - Spatter Gray Location, Shelves/Trays, Predefined - * Locations To Be Determined At A Later Date	4
207	0647772		Tray, Floor Mounted, Slide-Out, 500lb, 2.00" Sides, 3G Qty, - 02 location - RS1, LS1 Material - Painted - Spatter Gray	2
208	0544614		Toolboard, Swing-out, Alum, .188", Peg Board, 3G Qty - 1 Location, Pivot - Front Mounting, Toolboard - Adjustable Frt-back Hole Diameter, Pegboard/Toolboard - .281" diameter Finish, Pegboard/Toolboard - Painted - Spatter Gray Location, Toolboard - RS2 - Full Height/Width	1
209	0061917		Rub Rail, Aluminum Extruded, 3.12", Side of Body	1
210	0769018		Fender Crowns, Rear, S/S, w/Removable Fender Liner, Aerial, 3G, Two Pair	1
211	0519849		Not Required, Hose, Hard Suction	1
212	0893756		Handrails, Side Pump Panels, Per Print, Aerial Step, Runningboard - step	1
213	0765324		Compt, Air Bottle/Extinguisher,Between Tandems,Three (3),w/Straps,100AAT,Bolt- In Qty, Air Bottle Comp - 2 Door Finish, Fender Compt - Polished Location, Fender Compt - LS and RS Latch, Air Bottle Compt - Flush Lift & Turn, Pair Insert, Air Bottle Compt - Rubber Matting Door Type - lift up with pneumatic spring	2
214	0795333		Compt, Air Bottle, Single, Fender Panel, Bolt-In Qty, Air Bottle Comp - 4 Door Finish, Fender Compt - Polished Location, Fender Compt - Single - LS Fwd, Single - LS Rear, Single - RS Fwd and Single - RS Rear Latch, Air Bottle Compt - Flush Lift & Turn	4

Line	Option	Type	Option Description	Qty
214			Insert, Air Bottle Compt - Rubber Matting	
215	0768635		Ladder, 35' Duo-Safety 1200A 2-Sect	2
			Qty, - 02	
216	0004222		Ladder, 24' Duo-Safety 900A 2-Section	1
			Qty, - 01	
217	0024232		Location, Extension Ladder - torque box	
			Ladder, 16' Duo-Safety 875A Roof	1
			Qty, - 1	
218	0056478		Ladder, 14' Duo-Safety 775A Roof	1
			Qty, - 1	
219	0024233		Not Required, Attic Extension Ladder	1
220	0768634		Ladder, 10' Duo-Safety Folding, 585A	2
			Qty, - 02	
			Location, Folding Ladder Aerial - torque box	
221	0806199		Ladders in Torque Box, Gortite Roll, Retainer Latch, 100AAT	1
			Color, Roll-up Door, Gortite - Satin finish	
			Latch, Roll-up Door, Gortite - Non-Locking, Rear	
			Latch, Door Ladder Storage - Lift and Turn Latch, Flush, Pair	
			Latch, Anti-Migration Plate - Southco C2 chrome raised	
222	0808007	SP	Tray,Black Poly,96" Long,Hose Storage,w/ Strap,Hand Holds,Encl Trough,Torque Box	1
			Location - Right Side of ladder storage	
223	0766602		Lights, Torque Box Ladder Storage, Pierce LED Strip Lights, 2 Lts, 100AAT	1
224	0775907		Pike Pole, 12' DUO Safety, Fiberglass	2
			Qty, - 02	
225	0789564		Pike Pole, 8' DUO Safety, Fiberglass, Aerial	2
			Qty, - 02	
226	0789566		Pike Pole, 6' DUO Safety, Fiberglass, Aerial	1
			Qty, - 01	
227	0789586		Pike Pole, 3' DUO Safety, Fiberglass, w/D Handle	2
			Qty, - 02	
228	0770578		Pike Pole Tubes, in Torque Box/Ladder Storage, ABS	6
			Qty, - 06	
229	0765390		Pump House, Side Control, 42", 100AAT, Control Zone	1
230	0767048		Pump House Structure	1
231	0767622		Pump, Waterous, S100, 2000 GPM, Single Stage, 100' AAT	1
232	0504116		Seal, Mechanical, Waterous, w/S100 Pump	1
233	0816450		Trans, Pump, Waterous C22, S100 Pump Only	1
234	0635600		Pumping Mode, Stationary Only	1
235	0605126		Pump Shift, Air Mnl Override, Split Shaft, Interlocked, Waterous	1
236	0003148		Transmission Lock-up, EVS	1
237	0004547		Auxiliary Cooling System	1
238	0014486		Not Required, Transfer Valve, Single Stage Pump	1
239	0737989		Valve, Relief Intake, Waterous	1
			Qty - 1	
			Pressure Setting - 150 psig	
240	0896060		Controller, Pressure,Pierce LCD,Custom Chassis,Metric,Non-NFPA Non-U LC,AAT	1
			Pressure Governor Throttle Control - Clockwise	
			Pressure Governor Default Mode - No Mode/Default Press Setting	
241	0072153		Primer, Trident, Air Prime, Air Operated	1
242	0780364		Manuals, Pump, (2) Total, Electronic Copies	1
243	0602492		Plumbing, Stainless Steel and Hose, Single Stage Pump, 100AAT	1
244	0795135		Plumbing, Stainless Steel, w/Foam System	1
245	0758412		Inlets, 6.00", (2) Right Side, 1500-2000 GPM Pump, 100AAT	1
246	0014650		Pump Suction Tube(s), Short, All	1
247	0729292		Valve, Ball Intake, TFT, AX Series, 1 Electric, 1 Manual	1
			Hand Wheel Shaft - Standard	
			Connection, Inlet, Side B - 1SP (4.0" Rigid Storz) with a cap	
			Connection, Outlet, Side A - NX (6.0" Threaded Swivel)	
			Relief Valve, Ball Intake - Standard	
248	0004646		Cap, Main Pump Inlet, Long Handle, NST, VLH	1
249	0084610		Valves, Akron 8000 series- All	1

Line	Option	Type	Option Description	Qty
250	0016158		Valve, Inlet(s) Recessed, Side Cntrl, "Control Zone"	1
			Qty, Inlets - 1	
251	0004700		Control, Inlet, at Valve	1
252	0785853		Inlet, Left Side, 2.50", Special Threads, 2016 Non-NFPA Compliant	1
			Special Threads - BCT 3.00x8	
253	0029147		Not Required, Inlet, Right Side	1
254	0034720		Anode, Zinc, Pair, Pump Inlets	1
255	0723049		Valve, .75" Bleeder, Aux. Side Inlet, "T" Swing Handle	1
256	0767284		Tank to Pump, (1) 3.00" Valve, 3.00" Plumbing, 100AAT	1
257	0004905		Outlet, Tank Fill, 1.50"	1
258	0062133		Control, Outlets, Manual, Pierce HW if applicable	1
259	0890913		Outlet, Left Side, 2.50", 100AAT	1
			Qty, Discharges - 01	
260	0055092		Elbow, Left Side Outlets, 30 Degree, 2.50" FNST x 2.50" Male Special Thread, VLH	1
			Qty, Discharges - 01	
			Special Threads - BCT 3.00x8	
261	0004945		Outlet, Right Side, 2.50"	1
			Qty, Discharges - 01	
262	0045102		Elbow, Right Side Outlets, 30 Degree, 2.50" FNST x 2.50" Male Special Thread,VLH	1
			Qty, Discharges - 01	
			Special Threads - BCT 3.00x8	
263	0767613		Outlet, 4" w/4" Right, Sm Handwheel, 100AAT	1
			Valve, Brand - Akron	
264	0005094		Elbow, Large Dia Outlet, 30 Deg, 4.00" FNST x 4.00" Storz	1
265	0092572		Not Required, Outlet, Front	1
266	0752097		Caps/Plugs for 1.00" to 3.00" Discharges/Inlets, Chain	1
267	0723042		Valve, 0.75" Bleeder, Discharges, "T" Swing Handle	1
268	0029106		Not Required, Deluge Outlet	1
269	0767110		Waterway Outlet & Control, 4" Akron, Sm HW, 100AAT	1
270	0762277		Crosslays Sngl Sheet Unpainted, (1+) 1.50" Std. Cap, 100AAT	1
			Qty, Crosslays - 1	
271	0762275		Crosslays Sngl Sheet Unpainted, (1) 2.50" Std Cap, 100AAT	1
272	0590942		Hose Restraint, Crosslay/Deadlay, 1" Heavy Nylon Web, Strap Fasteners, Each Side	2
			Qty, - 02	
			Type of fastener - spring clip and hook	
			Nylon Web Color - Black	
			Restraint Location - Bottom (towards the ground)	
273	0734284		Foam Sys, Husky 3, Single Agent, Multi Select Feature, 100AAT	1
			Outlet, Foam - No. 1 Left Side Discharge, No. 1 Right Side Discharge, No. 1 Crosslay and No. 2 Crosslay	
274	0012126		Not Required, CAF Compressor	1
275	0592527		Refill, Foam Tank, Integral, Husky 3	1
276	0031896		Demonstration, Foam System, Dealer Provided	1
277	0022539		Foam Cell, 20 Gallon, Reduce Water	1
			Type of Foam - Class "A"	
278	0733554		Drain, 1.00" Foam Tank, 100AAT	1
279	0091112		Not Required, Foam Tank #2 Drain	1
280	0738072		Approval Dwg, Pump Panel(s), Not Required	1
281	0032479		Pump Panel Configuration, Control Zone	1
282	0747651		Step, Slide-Out/Fold-Out, Pump Operator Platform, 100AAT	1
283	0667186		Light, Slide-Out Pump Operator Step, On Scene Solutions Access LED, Short Step	1
284	0629252		Material, Pump Panels, Side Control Black Vinyl	1
			Material Finish, Pump Panel, Side Control - Black Vinyl	
			Material, Pump Panel, Side Control - Aluminum	
285	0723264		Panel, Pump Access - Right Side Only, 100AAT	1
			Latch, Pump Panel Access, Side Mount - Flush Lift and Turn, Chrome, AAT	
286	0583824		Light, Pump Compt, WIn 3SC0CDCR LED White	1
			Qty, - 01	
287	0586382		Gauges, Engine, Included With Pressure Controller	1
288	0005601		Throttle, Engine, Incl'd w/Press Controller	1

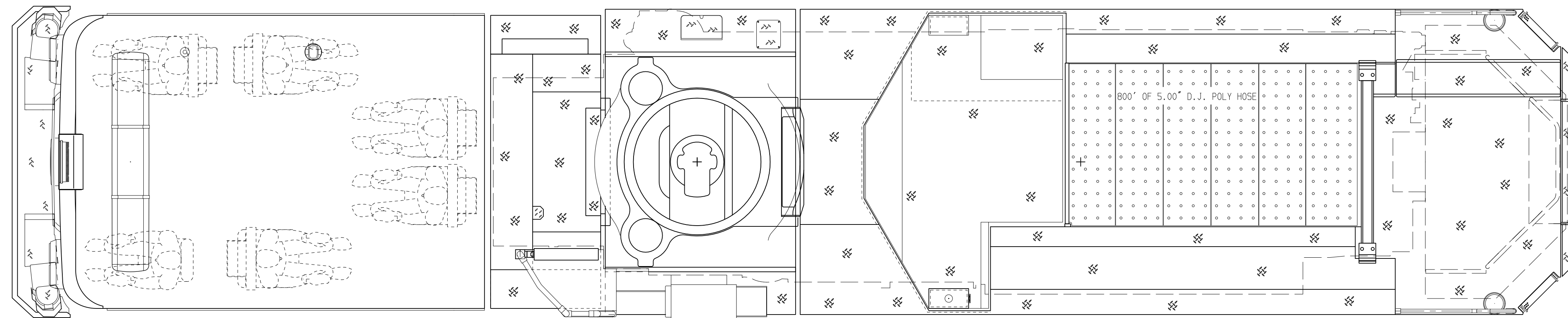
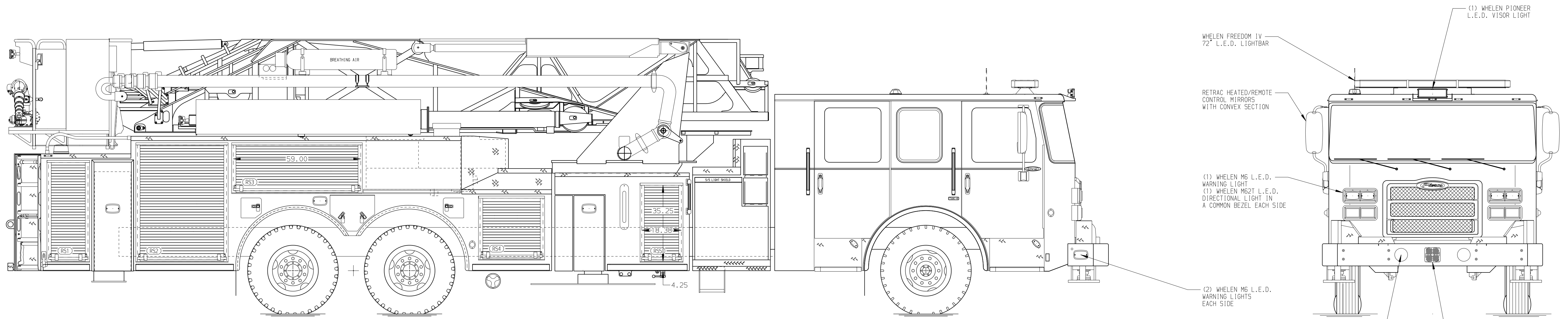
Line	Option	Type	Option Description	Qty
289	0739224		Indicator Light @ Pump Panel, Throttle Ready, Incl w/Pressure Gov/Throttle,Green	1
290	0549333		Indicators, Engine, Included with Pressure Controller	1
291	0745568		Indicator Light, Pump Panel, Ok To Pump, Green	1
292	0744194		Cold Climate Pkg, Pump House, Lvl 2, (2) 7,500 BTU Diesel Heaters, 100AAT	1
293	0511078		Gauges, 4.00" Master, Class 1, 30"-0-600psi	1
294	0511100		Gauge, 2.00" Pressure, Class 1, 30"-0-400psi	1
295	0536428		Gauge, Water Level, Pierce, In pressure Controller	1
296	0062992		Gauge, Foam Level, (1) Tank, Class 1, GAAAR 5lt	1
297	0735892		Light Shield, S/S LS & RS, 100AAT, Std LED	1
298	0762640		Air Horns, (2) Hadley, 6" Round, eTone, In Bumper, 100AAT	1
299	0606833		Location, Air Horns, Bumper, Each Side, Inside Frame (Pos #3 & #5)	1
300	0757092		Control, Air Horn, Multi Select	1
301	0757077		Control, Air Horn, Lanyard, LS	1
			Lanyard - Nylon Rope	
302	0757076		Control, Air Horn, Lanyard, RS	1
			Lanyard - Nylon Rope	
303	0525667		Siren, Wln 295SLSA1, 100 or 200 Watt	1
304	0790527		Location, Electronic Siren, Center Dash Switch Panel, Saber FR	1
			Location, Electronic Siren - Switch Panel # 13	
305	0076156		Control, Elec Siren, Head Only	1
306	0601304		Speaker, (2) Wln, SA315P, w/Pierce Polished Stainless Steel Grille, 100 watt	1
			Connection, Speaker - siren head	
307	0601557		Location, Speaker, Frt Bumper, Recessed, Ea Side, Outside Frame,Outbrd (Pos 1/7)	1
308	0895287		Siren, Federal Q2B, Enforcer, 100AAT	1
			Finish, Q2B Siren - Chrome	
309	0816506		Siren, Mechanical, Mounted Above Deckplate, Swivel, 100AAT, Finish Feature	1
			Finish, Bracket - Painted lower color	
310	0748305		Control, Mech Siren, Multi Select	1
311	0748280		Control Mech Siren, Horn Ring	1
312	0729537		Control Mech Siren, Rocker Momentary On, Brake RS	1
313	0735899		Sw, Siren Brake, Mom Rocker, Red Outline, LS Overhead Sw Pnl, Mux	1
314	0746353		Not Required, Warning Lights Intensity	1
315	0606775		Lightbar, Wln, Freedom IV-Q, 72", RRWRRR____RRRWRR	1
			Filter, Whl Freedom Ltbrs - No Filters	
316	0734071		Lights, Front Zone, Wln M6** M6** M6** M6** LED, Q Bzl, 4lts	1
			Color, Lens, LED's - Clear	
			Color, Lt DS Frnt Outside - Left Red	
			Color, Lt PS Frnt Outside - Right Red	
			Color, Lt DS Front Inside - Left White	
			Color, Lt PS Front Inside - Right White	
			Color, Q Bezel and Trim - Polished Chrome	
317	0558676		Daytime Running Lights, Headlights, Qtm, Vel/Imp, Enf/AXT-MUX, DCF (Low Beam)	1
318	0653937		Flasher, Headlight Alternating	1
			Headlt flash deactivation - a)w/high beam	
319	0897575		Lights, Side Zone Lower, Wln M6**, M6V2** Warning & Scene, 4Lts	1
			Location, Lights Rear - Over Rear wheel wells	
			Location, Lights Front Side - b)each side bumper	
			Color, Lens, LED's - Clear	
			Control, Scene Lts - Park Brake and With reverse gear	
			Color, Trim - Chrome Trim	
			Color, Lt Side Front, DS - Left Red	
			Color, Lt Side Front, PS - Right Red	
			Color, Lt Side Rear PS - Right Red	
			Color, Lt Side Rear DS - Left Red	
320	0896616		Lights, Door Interior Flash, 4 Dr Cab, Weldon 8401-0000-20 Strip Light	1
			Control, Door Int Flash - None (Doors only)	
			Location, Light, Door Int Flash - Over Window	
321	0815847		Connectors, Door Interior Flash, All Cabs, Weatherproof	1
322	0540783		Lights, Rear Zn Lwr, Wln M6*C LED	1
			Color, Lt DS Rear - r) DS Rear Lt Red	
			Color, Lt PS Rear - r) PS Rear Lt Red	

Line	Option	Type	Option Description	Qty
323	0088745		Light, Rear Zone Up, WIn L31HRFN LED Beacon, Red LED	1
			Color, Dome, Rear Warning - j) both domes clear	
324	0006551		Not Required, Lights, Rear Upper Zone Blocking	1
325	0791501		Light, Traffic Directing, WIn TAL65, 36" Long LED, Aerials	1
			Activation, Traffic Dir L - Not Connected	
326	0530074		Location, Traf Dir Lt, On Top of Body Below Turntable w/Trdplt Box	1
327	0530282		Location, Traf Dir Lt Controller, Overhead Switch Panel DS Right End	1
328	0519934		Not Required, Brand, Hydraulic Tool System	1
329	0649753		Not Required, PTO Driven Hydraulic Tool System	1
330	0771866		Aerial, Ascendant 100' Aerial Tower	1
331	0680821		Boom Panel, Pair	1
			Paint Color, Predefined - #90 Red	
332	0526890		Not Required, Indicator, Extension	1
333	0688232		Rung Covers, Aerial Device	1
			Rung Cover Color - Black	
334	0623645		Aerial Stability Test, Maximum Tip Options	1
335	0770598		Basket, 100AAT	1
336	0677439		Box, Hose Storage, Platform	1
			Qty, - 01	
			Latch, Door, Storage - Rubber Draw Latch	
			Location, Aerial Basket - right	
			Cover - cover	
			Hose Size, Hosebox - 50' of 1.75"	
337	0803225		Lights, Turntable Walkway, P25, On Scene, LED, 100AAT	1
			Color, Trim - Chrome Housing	
338	0767535		Light, Turntable Console, TecNiq E-10, LED	1
339	0732762		Basket Heat Shields, 100AAT	1
340	0814210		Control Stations, 100AAT, CL714	1
341	0815152		Lights, Basket Interior, 100AAT	1
342	0771862		Stabilizers, 100AAT, Three Sets	1
343	0729051		Stabilizer Pan and Trim Material	1
			Stabilizer Panels - polished stainless steel	
			Stabilizer Trim - polished stainless steel	
344	0746173		Door, Stabilizer Control Box, Aerial MUX, 100AAT	1
			Latch, Door, Storage - Southco C2 Chrome Raised	
			Hinge Location - Inboard	
			Door, Material & Finish, Stabilizer - Smooth aluminum	
345	0771218		Hydraulic System, 100AAT	1
346	0767932		Swivels, w/Encoder, 36, 100AAT	1
347	0767931		Electrical System, 100AAT	1
348	0783180		Lights, Tip, WIn MPB* LED, Front of Basket 1lt	1
			Color, WIn Lt Housing - White Paint	
349	0752453		Lights, Tracking, WIn MPB* LED, 100AAT 2lts	1
			Color, WIn Lt Housing - White Paint	
			Scene Lt Optics LH Base - L Spot	
			Scene Lt Optics RH Base - R Spot	
350	0743431		Basket Access, w/ Flip Down Step, Lift Bar Latch, 100AAT	1
			Finish, Step Well - aluminum treadplate	
351	0894586		Lights, Step (4), P25, Ladder Style Access Steps, Both Sides	1
			Control, Light - r) aerial master	
			Color, Trim - Chrome Housing	
352	0540743		Lights, Stabilizer Warn (2) Sets, WIn M6*C LED, Clear Lens	1
			Color, Lt Rr Stabilzr Pan - r) Pan Light Red	
			Color, Lt Fr Stabilzr Pan - r) Pan Light Red	
353	0068703		Lights, Grote Supernova LED, Stabilizer Beam, (1) Set	1
354	0762387		Lights, Stabilizer Scene, (3) sets, Amdor AY-LB-12HW012, 100AAT	1
355	0764091		DC Power To Tip, 12.88 Amp, 100AAT	1
356	0737181		Intercom, 2-Way Fire Research ICA910 Hands Free	1
357	0540918		Not Required, Breathing Air to Tip, Aerial Platform	1
358	0024742		Not Required, Mask, Breathing Air To Tip	1
359	0767396		Aerial Pedestal, 100AAT	1
360	0766834		Lyfe Brackets, 3-In-1, Used w/Duo-Safety 875 Ladders ONLY, 100AAT	1

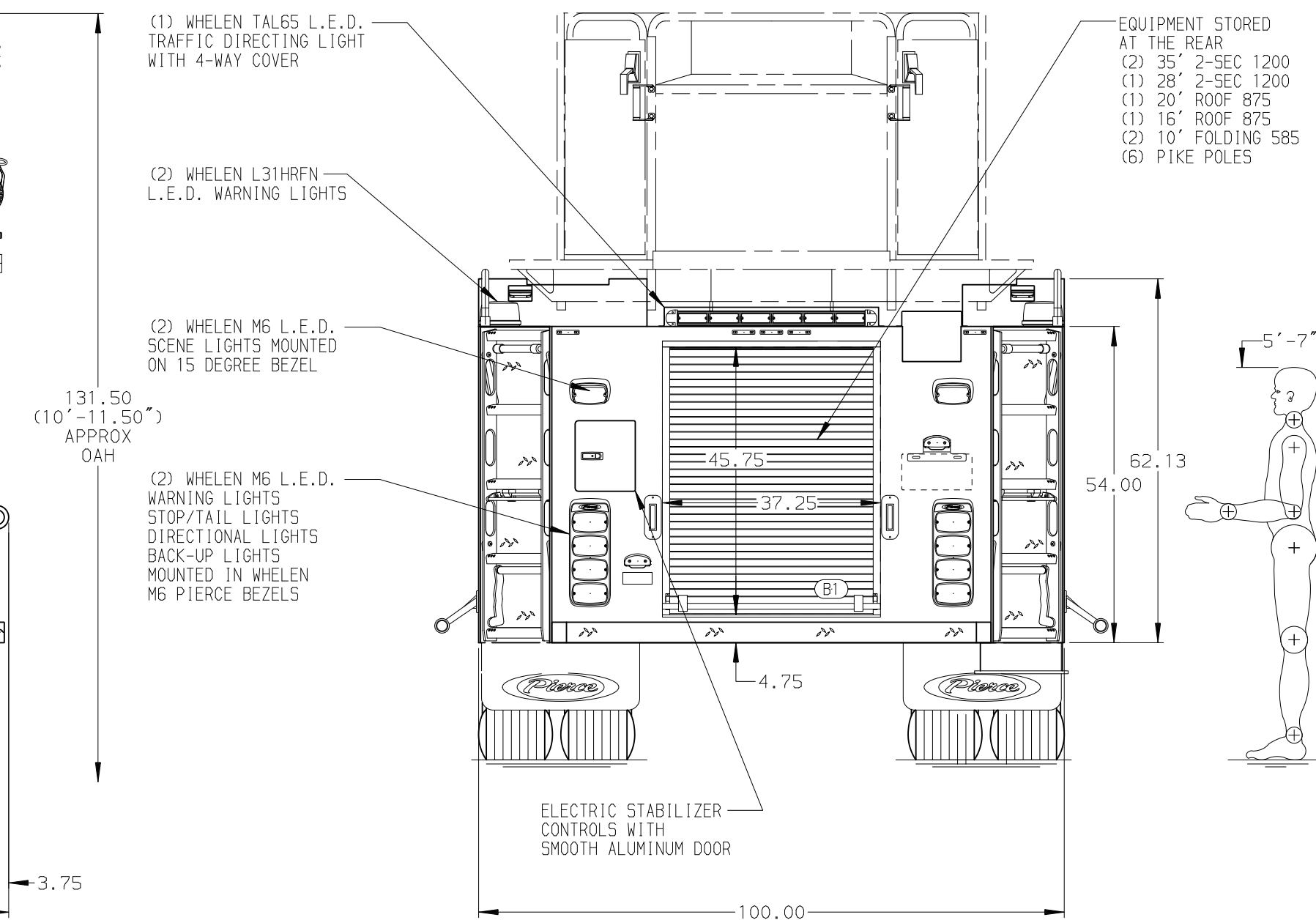
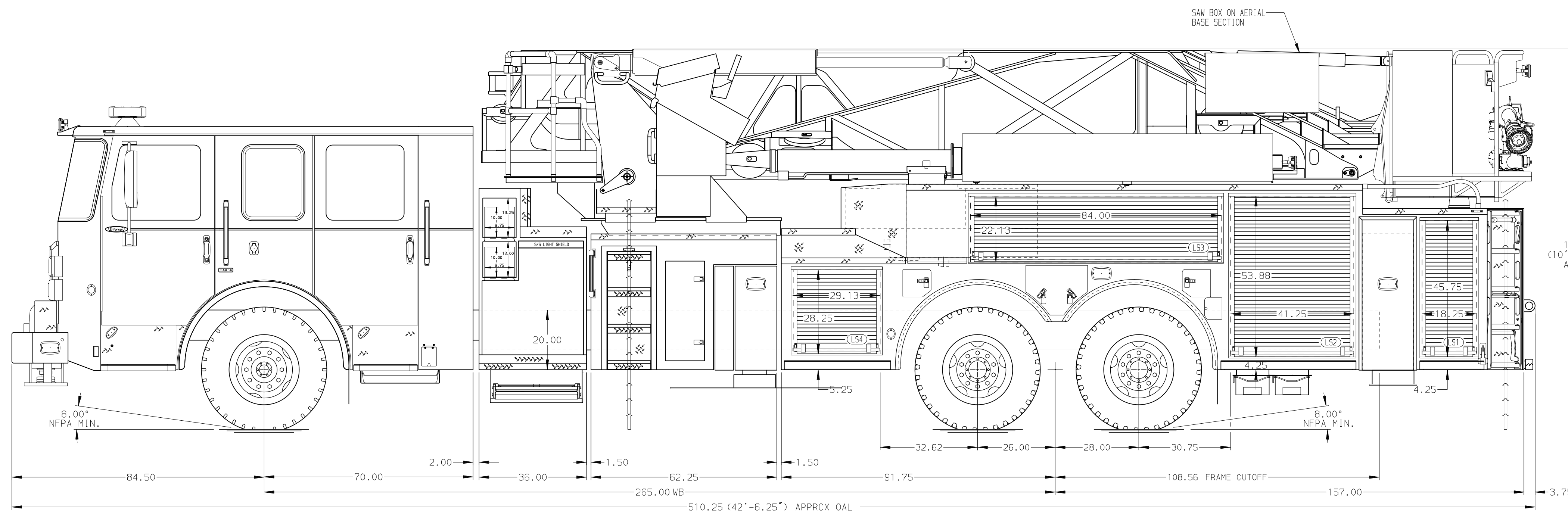
Line	Option	Type	Option Description	Qty
361	0767148		Turntable Access, ManSaver Bar, Red	1
362	0804860		Waterway, 100AAT	1
			Aerial Waterway Drain 100AAT - Standard Location, Right Side	
363	0730399		Valves, (2) TFT VUM (Valve Under Monitor), Manual	1
364	0764417		Monitors, (2), TFT Monsoon, Y4-MP1A-P-01 Manual and Y4-EP1A-P Elec, (Use w/VUM)	1
			Nozzle, Monitor 1, PAP - TFT YST-4NN Tips	
			Nozzle, Monitor 2, PAP - TFT M-ERP2000 Electric 2000 gpm	
365	0086971		Flowmeter, Waterway, MUX, PAP	1
366	0009364		Inlet, 5.00", S/S, w/ Pump, Right Side, 100AAT	1
367	0047897		Tools, Aerial	1
368	0559491		Manuals and Training, 3 Consecutive Days, Platform	1
369	0007150		Bag of Nuts and Bolts	1
			Qty, Bag Nuts and Bolts - 1	
370	0751721		ULC Required Loose Equipment, Quint, ULC 2013, Provided by Fire Department	1
371	0610106		Soft Suction Hose, Provided by Fire Department, Quint ULC Classification	1
372	0027023		No Strainer Required	1
373	0610611		Extinguisher, Dry Chemical, Quint ULC, Provided by Fire Department	1
374	0610626		Extinguisher, 2.5 Gal, Not Required, ULC	1
375	0765595		Ladder Belts, Aerial	1
			Safety Belt, Large/XL - (2) two Large/XL (34"-42" waist)	
			Safety Belt, Small/Medium - 0 small/medium (26"-34" waist)	
			Safety Belt, XXL - (1) one XXL (42"-50" waist)	
376	0007482		Not Required, Crowbars	1
377	0007484		Not Required, Claw Tools	1
378	0610610		Axe, Flathead, Quint ULC, Provided by Fire Department	1
379	0610608		Axe, Pickhead, Quint ULC, Provided by Fire Department	1
380	0007494		Not Required, Sledgehammers	1
381	0741569		Paint Process / Environmental Requirements, Appleton	1
382	0709566		Paint, Two-Tone Color, Enforcer	1
			Paint Color, Upper Area, Predefined - #10 White	
			Shield, Cab - Standard Shield	
			Paint Color, Lower Area, Predefined - #90 Red	
			Paint Break, Cab - Standard Two-Tone Cab Break	
383	0709845		Paint, Single Color, Body	1
			Paint, Body - Match Lower Cab	
384	0646901		Paint Chassis Frame Assy, With Liner, E-Coat, Standard	1
			Paint Color, Frame Assembly, Predefined - Standard Black	
385	0693797		No Paint Required, Aluminum Front Wheels	1
386	0693792		No Paint Required, Aluminum Rear Wheels	1
387	0733739		Paint, Axle Hubs	1
			Paint, Axle Hub - Lower Job Color	
388	0007230		Compartment, Painted, Spatter Gray	1
389	0792638		Aerial Platform Paint	1
			Paint Color, Aerial Device - White 10	
			Paint Color, Turntable - Red 90	
			Paint Color, Boom Support - red 90	
			Paint Color, Cylinders - red 90	
			Paint Color, Aerial Torque Box - gloss black primer	
			Paint Color, Aerial Stabilizers - black 101	
			Paint Color, Aerial Basket - red 90	
			Paint Color, Aerial Rotation Motor - Black	
			Paint Color, Aerial Control Console - red 90	
390	0544111		Reflective Band, 10"	1
			Color, Reflect Band - A - a) white	
391	0007356		Reflective across Cab Face	1
392	0583454		Stripe, Chevron, Rear, Diamond Grade, Aerial	1
			Color, Rear Chevron DG - fluorescent yellow green	
393	0598754		Stripe, Reflective/Diamond Grade, 4.00" on Stabilizers	1
			Color, Reflect Band - A - p) fluorescent yellow green diamond grade	
394	0030634		Basket Reflective Stripe, 10.00", Center	1
			Color, Reflect Band - A - a) white	

Line	Option	Type	Option Description	Qty
395	0027341		Jog, In Reflective Stripe, Single or Multiple	1
			Qty, - 1	
396	0545179		Stripe, Diamond Grade, Chevron, Front Bumper	1
			Size, Chevron Striping - 08	
			Color, Chevron DG - Yellow Green, Fluorescent	
			Color, Chevron DG - B - Red	
397	0065687		Stripe, Reflective, Cab Doors Interior	1
			Color, Reflective - a) white	
398	0027286		Not Required, Lettering Specs	1
399	0007472		[Lettering not Requested]	1
400	0772003		Manual, Fire Apparatus Parts, USB Flash Drive, Custom	1
			Qty, - 01	
401	0772037		Manual, Chassis Service, USB Flash Drive, Custom	1
			Qty, - 01	
402	0773381		Manual, Chassis Operation, (1) USB Flash Drive, Custom	1
403	0030008		Warranty, Basic, 1 Year, Apparatus, WA0008	1
404	0735523		Warranty, Engine, Paccar MX13, 5 Year	1
405	0684953		Warranty, Steering Gear, Sheppard M110, 3 Year WA0201	1
406	0596017		Warranty, Frame, 50 Year, Custom Chassis, WA0013	1
407	0595698		Warranty, Axle, 3 Year, TAK-4, WA0050	1
408	0733305		Warranty, Tandem Axle, 5 Year, Meritor, General Service, WA0384	1
409	0652758		Warranty, ABS Brake System, 3 Year, Meritor Wabco, WA0232	1
410	0019914		Warranty, Structure, 10 Year, Custom Cab, WA0012	1
411	0744240		Warranty, Paint, 10 Year, Cab, Pro-Rate, WA0055	1
412	0524627		Warranty, Electronics, 5 Year, MUX, WA0014	1
413	0647720		Warranty, Pierce LED Strip Lights, WA0203	1
414	0046369		Warranty, 5-year EVS Transmission, Standard Custom, WA0187	1
415	0685945		Warranty, Transmission Cooler, WA0216	1
416	0688798		Warranty, Water Tank, Lifetime, UPF, Poly Tank, WA0195	1
417	0596025		Warranty, Structure, 10 Year, Body, WA0009	1
418	0693127		Warranty, Gortite, Roll-up Door, 6 Year, WA0190	1
419	0734463		Warranty, Pump, Waterous, 7 Year Parts, WA0382	1
420	0648675		Warranty, 10 Year S/S Pumbing, WA0035	1
421	0657990		Warranty, Foam System, Husky 3, WA0231	1
422	0006999		Warranty, Structure, 20 Year, Aerial Device, WA0052	1
423	0687388		Warranty, Swivels, 5 Year, Aerial Device, WA0197	1
424	0685727		Warranty, Hydraulic System and Components, 3 Year/5 Year, WA0200	1
425	0687327		Warranty, Waterway, 10 Year, Aerial Device, WA0198	1
426	0595860		Warranty, Paint, 4 Year, Aerial Device, Pro-Rated, WA0047	1
427	0553455		Warranty, Electronics, 5 Year, MUX, WA0014	1
428	0595820		Warranty, Paint, 10 Year, Body, Pro-Rate, WA0057	1
429	0593921		Not Required, Warranty, No Lettering	1
430	0683627		Certification, Vehicle Stability, CD0156	1
431	0807819		Certification, Engine Installation, Enf, Paccar MX13, 2024	1
432	0686786		Certification, Power Steering, CD0098	1
433	0892691		Certification, Cab Integrity, Saber FR/Enforcer, CD0189	1
434	0631973		Certification, Cab Door Durability, Saber FR/Enforcer, CD0137	1
435	0631978		Certification, Windshield Wiper Durability, Saber FR/Enforcer, CD0132	1
436	0631974		Certification, Electric Window Durability, Saber FR/Enforcer, CD0133	1
437	0631977		Certification, Seat Belt Anchors and Mounting, Saber FR/Enforcer, CD0134	1
438	0735949		Certification, Cab HVAC System Performance, SFR/Enf, CD0165/CD0167/CD0174/CD0175	1
439	0610617		Amp Draw Report, ULC 2013 Edition	1
440	0002758		Amp Draw, NFPA/ULC Radio Allowance	1
441	0799248		Appleton/Florida BTO	1
442	0000053		Ascendant Tower	1
443	0000012		PIERCE CHASSIS	1
444	0735525		PACCAR MX13 ENGINE	1
445	0046396		EVS 4000 Series TRANSMISSION	1
446	0805943		WATEROUS PUMP S-100 AAT	1
447	0020009		POLY TANK	1

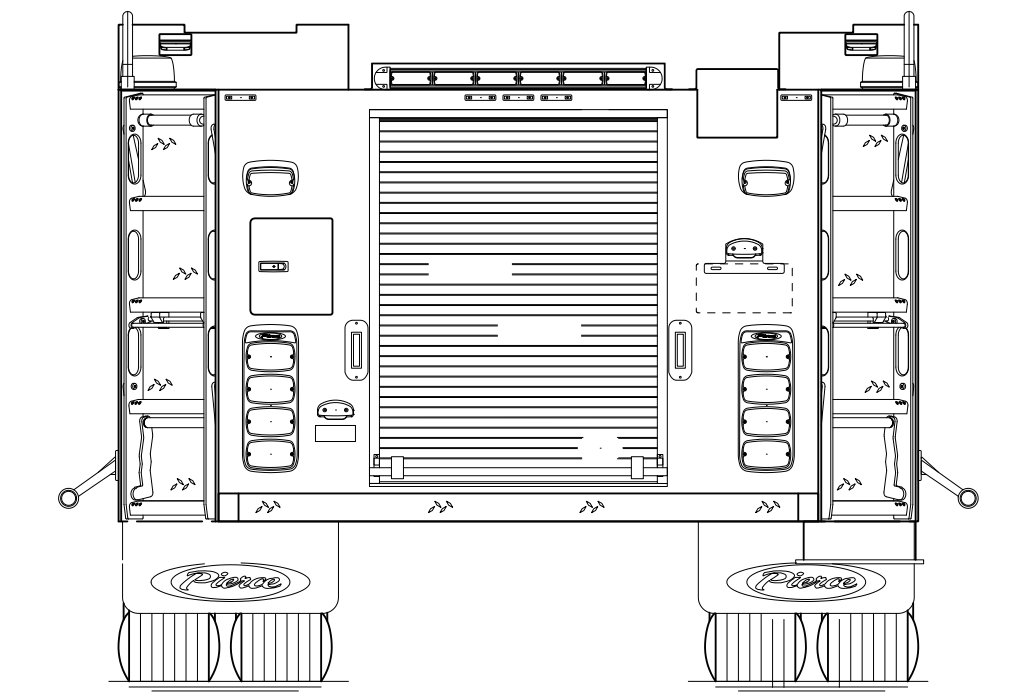
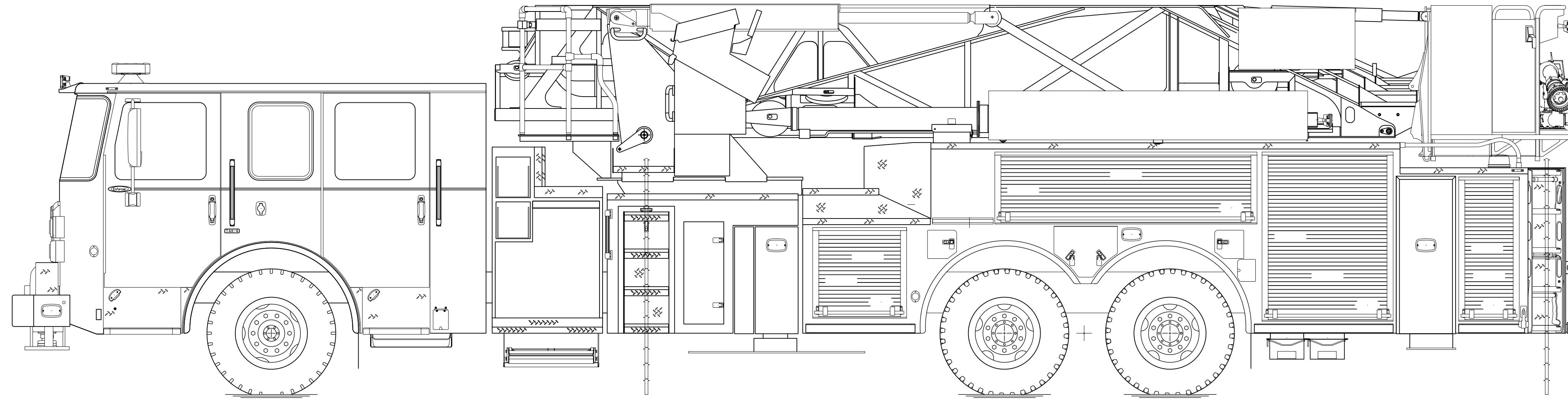
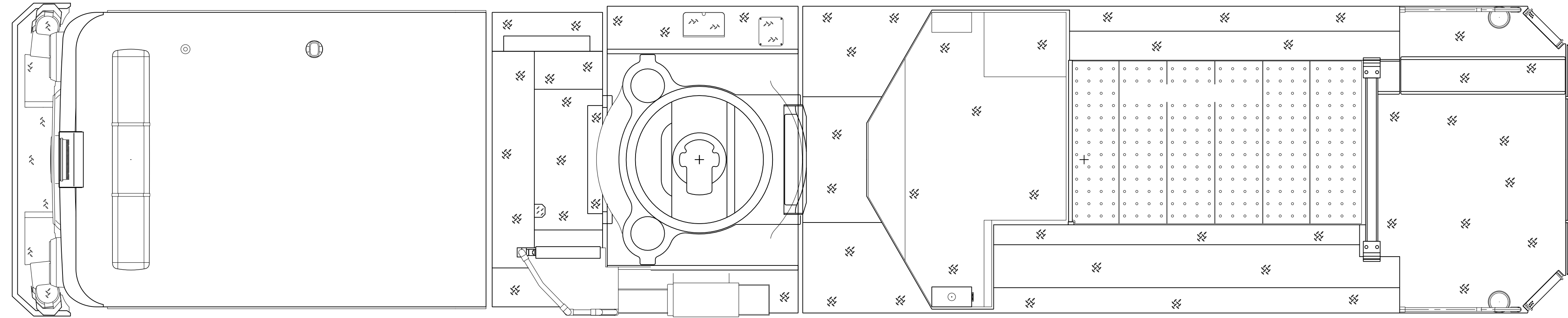
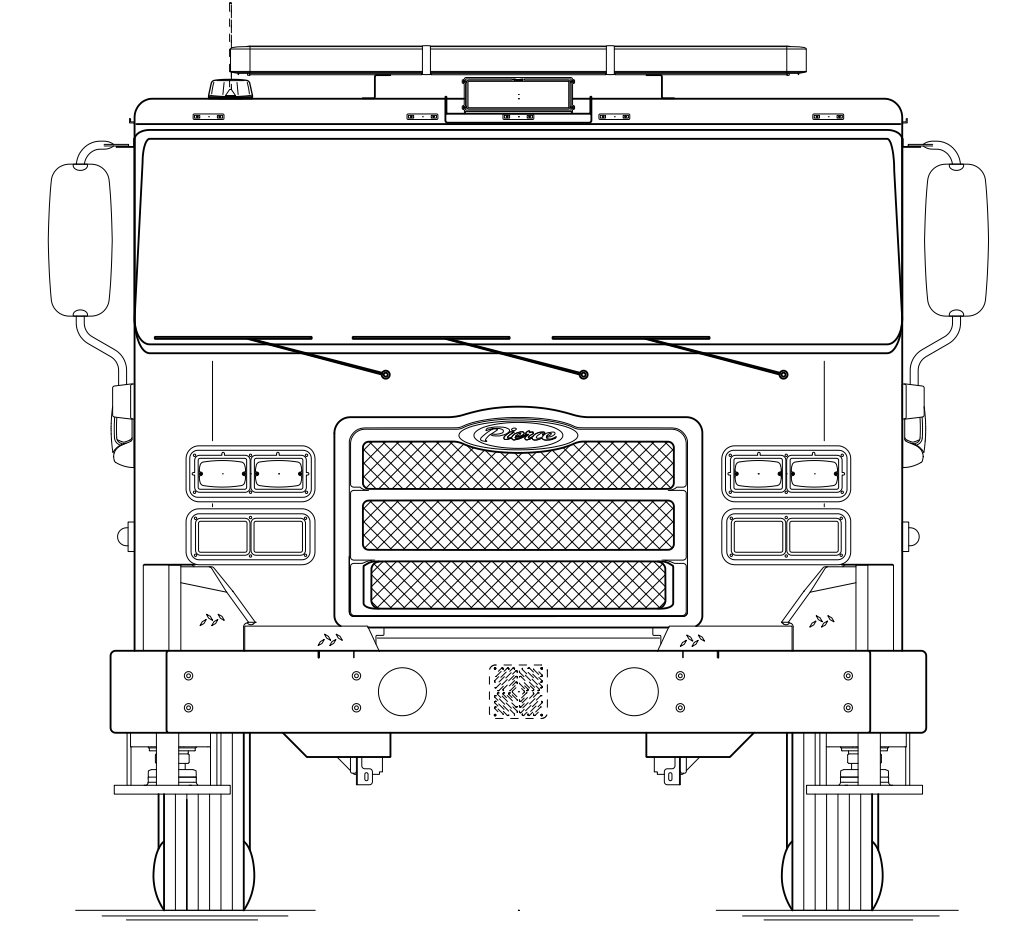
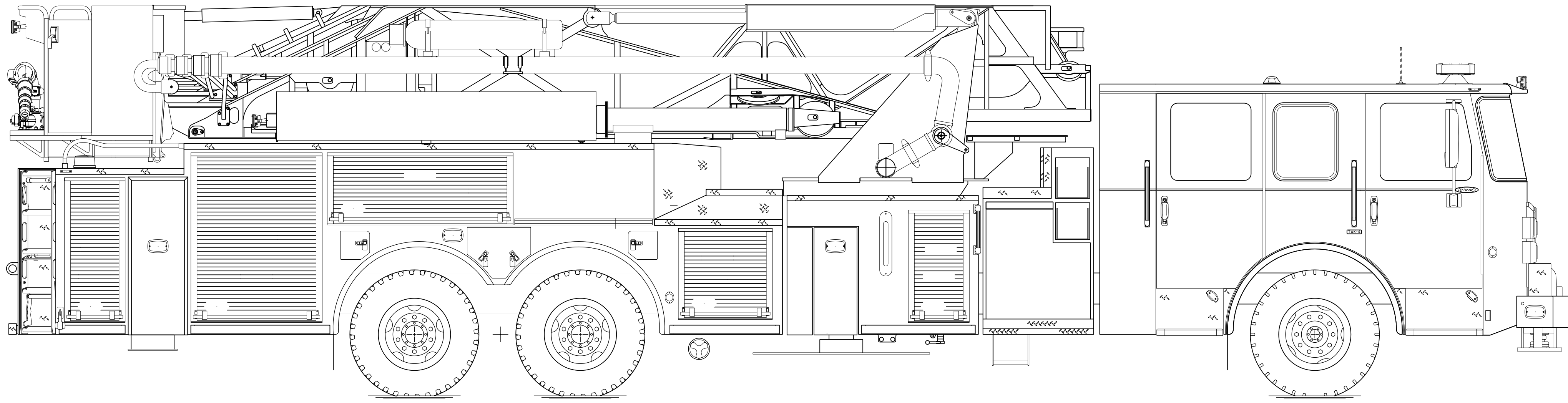
Line	Option	Type	Option Description	Qty
448	0028048		FOAM SYSTEM	1
449	0020006		SIDE CONTROL	1
450	0020007		AKRON VALVES	1
451	0020015		ABS SYSTEM	1
452	0755454		AERIAL MEDIUM	1



BODY 100' Ascendant Aerial Tower Alum Body COMPT, LEFT SIDE Full Height & Full Depth RollUp Doors COMPT, RIGHT SIDE Full Height RollUp Doors	WATER TANK 275 Gallon Poly Water Tank Foam System Husky 12 Single Agent Foam System Foam Cell 25 Gallon Foam Cell, Reduced Water
--	--



CHASSIS Enforcer Chassis ENGINE 510 HP Paccar MX13 Engine	CAB 7000 Enforcer Cab BUMPER 15\" Painted Aluminum	AXLE, FRONT, CUSTOM 24,000 Lb TAK-4 Axle AXLE, REAR 52,000 Lb Meritor Axle	TRANSMISSION Allison 6th Gen, 4000 EV5 P	PUMPHOUSE 36\" Control Zone Side Mount PUMP 2000 GPM Waterous 5100	CROSSLAYS, 1.50\" (2) 1.50\", With Trays, 200' CROSSLAYS, 2.50\" 2.50\" Crosslay Not Required	SPEEDLAYS Speedlays Not Required GENERATOR Generator Not Required	SAFETY Side Roll and Frontal Impact Protection	CUSTOMER APPROVAL APPROVED BY: _____ DATE: _____		JOB NO. - SCALE 1:24 DATE -
NOTE DIMENSIONS SHOWN ARE APPROXIMATE AND ARE SUBJECT TO MINOR DEVIATIONS AS MAY OCCUR OR BE NECESSARY IN CONSTRUCTION. MINOR DETAILS NOT SHOWN.										DRAWN BY - CHECKED BY - SHEET SIZE D SHEET NO. 1 OF 1
1. SHORELINE RECEPTACLE WITH KUSSMAUL SUPER AUTO-EJECT LOCATED ON DRIVER SIDE OF THE CAB 2. AIR INLET WITH DISCONNECT COUPLING IN THE DRIVER SIDE STEPWELL 3. BATTERY CHARGER LOCATED PER ORDER 4. ADJUSTABLE SHELVES LOCATED PER ORDER 5. NON-RAISED AERIAL PEDESTAL 6. 3-in-1 LYFECOMBO BRACKETS AT AERIAL BASKET										CHASSIS DATA MAKE PIERCE MODEL - TITLE - FOR CEE 2023 100 AAT Stock DWG NO. -



NOTE
LAYOUT AND SIZES PROVIDED BY CUSTOMERS
MAY VARY DUE TO AVAILABLE WORKING SPACE.

COLOR LEGEND	
PINK	LETTERING (VINYL OR REFLECTIVE)
ORANGE	STRIPING (VINYL OR REFLECTIVE)
GREEN	GOLD LEAF
YELLOW	CUSTOMER FURNISHED PRODUCT

CUSTOMER APPROVAL

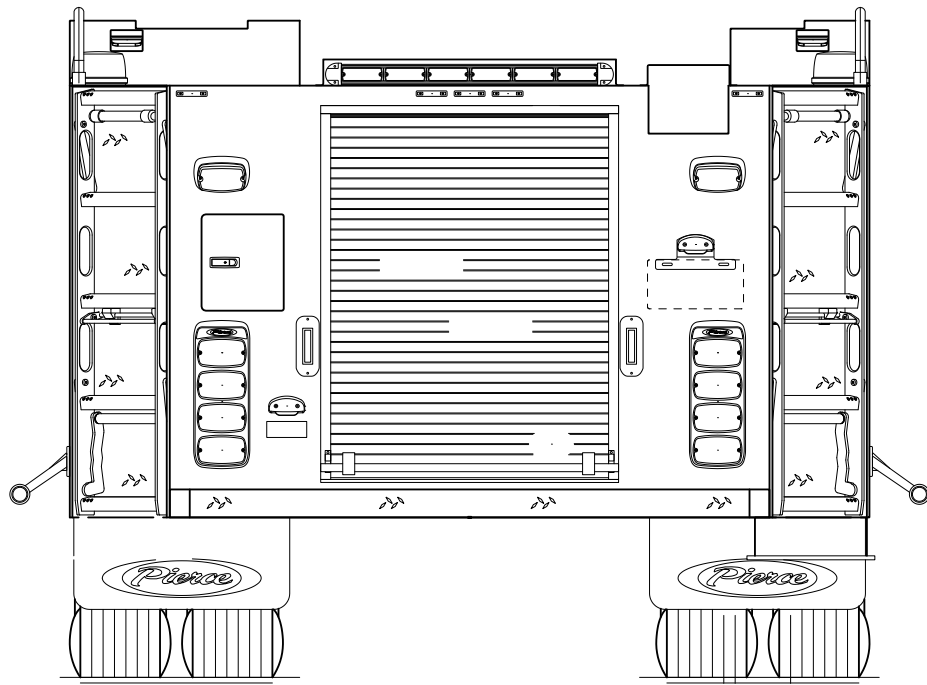
APPROVED BY: _____
DATE: _____

REV	DATE	BY	CH



TITLE	LETTERING, STRIPING, AND PAINTING INSTRUCTIONS
FOR	CEE 2023 100 AAT Stock
DWG NO.	LSP-LP

JOB NO.	-
SCALE	1:24
DATE	-
DRAWN BY	-
CHECKED BY	-
SHEET SIZE	D
SHEET NO.	1 of 1



CUSTOMER APPROVAL

APPROVED BY: _____

DATE: _____

NOTE: PLEASE REVIEW CHEVRON COVERAGE AND DOOR MATERIAL PER PULSE OPTIONS. NON-RELATED OR NON-CRITICAL MINOR DEVIATIONS MAY EXIST.



MANUFACTURING INC.

JOB NO.

-

SCALE

1:24

DRAWN BY

-

DATE

22SEP23

TITLE

CHEVRON DRAWING

-

FOR

CEE 2023 100 AAT Stock

-

DWG NO.

CHEVRON-CD

SHEET SIZE

A

SHEET NO.

1 OF 1